

TABLE 1: BE-810XC CAMERA KIT OPTIONS

PART NO.	MODEL NO.	DESCRIPTION
6408	BE-8100C	ELITE CAMERA, HEATED, AUDIO, AHD 1080P 25FPS
6410	BE-8101C	ELITE CAMERA, HEATED, AUDIO, AHD 1080P 30FPS

Revision Notes.

R1 -

APA: -

Drawn:-

Checked:-

Approved:-

Date: -

VIEW A

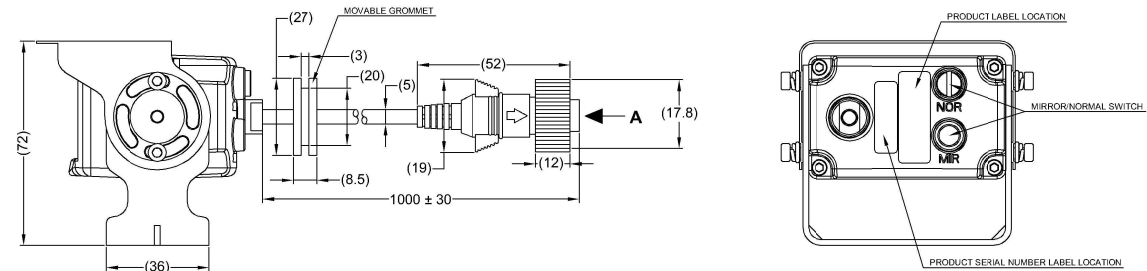
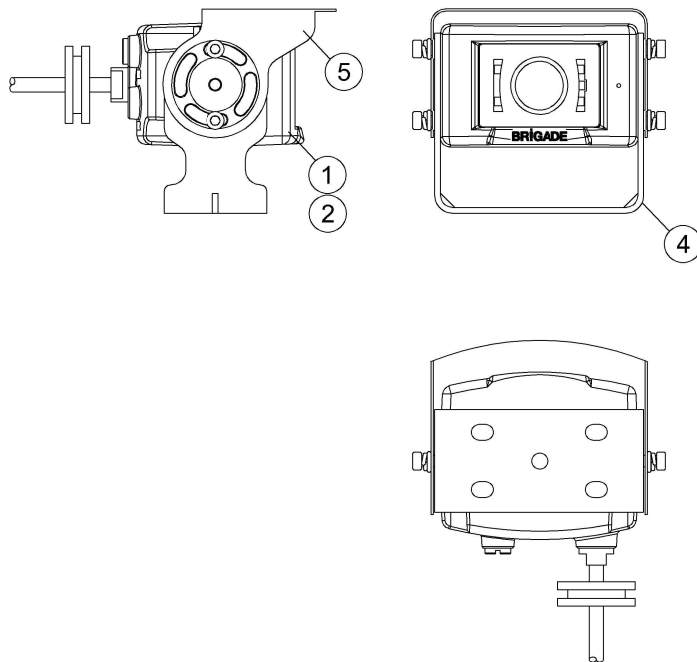
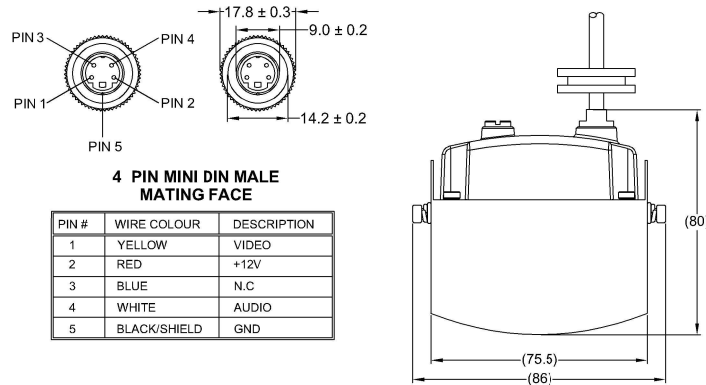


TABLE 2: CAMERA KIT CONTENTS

ITEM	1	2	3	4	5	6
PART NO.	6409	6411	7048	3244A	3245	3246
MODEL NO.	BE-8100C-C	BE-8101C-C	BE-810XC-IG	BE-810XC.BE-X0XC-BKT	BE-810XC.BE-X0XC-SS	BE-810XC-FIX
DESCRIPTION	ELITE CAMERA, HEATED, AUDIO, AHD 1080P 25FPS - CAMERA ONLY	ELITE CAMERA, HEATED, AUDIO, AHD 1080P 30FPS - CAMERA ONLY	BE-810XC SERIES INSTALLATION GUIDE (NOT SHOWN)	BE-810XC.BE2XXC SERIES BRACKET	BE-810XC.BE2XXC SERIES SUNSHIELD	BE-810XC.BE2XXC SERIES FIXING KIT (NOT SHOWN)
BE-8100C	QTY. 1	-	1	1	1	1
BE-8101C	QTY. -	1	-	-	-	-

- NOTES:
- FINISH IS BLACK.
 - REFER TO COMPONENT DRAWINGS FOR COMPONENT DETAILS.
 - FOR PRODUCT LABEL AND PACKAGING DETAILS REFER TO MASTER BOM.
 - ANY CUSTOMER MODIFICATION OF THIS PRODUCT CAUSING SUBSEQUENT FAILURE IS NOT A LIABILITY OF BRIGADE ELECTRONICS PLC.

PROPRIETARY NOTICE

THIS DESIGN AND TECHNICAL INFORMATION APPEARING ON THIS DRAWING IS THE PROPERTY OF BRIGADE ELECTRONICS, AND IS DISCLOSED IN CONFIDENCE. IT IS NOT TO BE COPIED, REPRODUCED, REVEALED TO OR EXPROPRIATED BY OTHERS, EITHER IN WHOLE OR IN PART WITHOUT THE EXPRESS WRITTEN CONSENT OF BRIGADE ELECTRONICS.

BRIGADE
www.brigade-electronics.com

Assembly Pl Approval T.CHOI	Approved by S.LAVER	Checked by S. GOVENDER	Drawn by J.STEWART
Angle of Projection 	Units mm	Scale N/A	Released 09/03/22
	Status RELEASED	Assembly Ref BE-810XC	
Part No SEE TABLE 1	BE-004504-00-21		